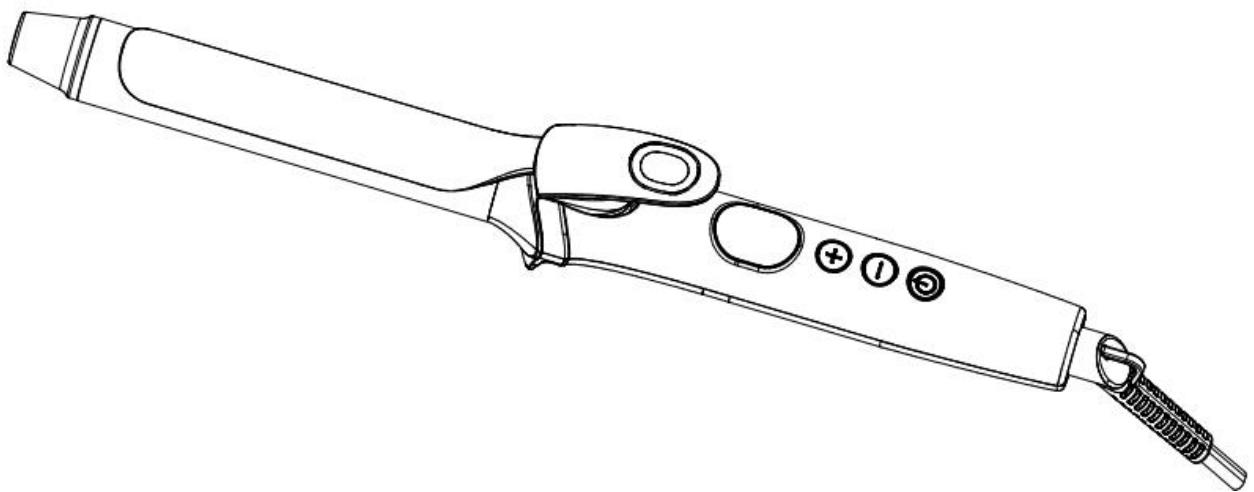


everlux

INSTRUCTION MANUAL

HAIR CURLING TONG

MODEL NO.:BY-761C



**Please read before use and retain for future reference
FOR HOUSEHOLD AND INDOOR USE ONLY**



IMPORTANT SAFETY INFORMATION

Please read the instructions fully before using the appliance

Do not use this appliance for any purpose other than its intended use.

Use only the voltage specified on the rating plate of the appliance.

WARNING:

- **This appliance can be used by children aged 8 years and above and persons with reduced physical, sensory, or mental capabilities or lack of experience and knowledge if they have been given supervision or instruction concerning use of the appliance in a safe way and understand the hazards involved. Children shall not play with the appliance. Cleaning and user maintenance shall not be made by children without supervision.**
- **Children should be supervised to ensure they do not play with the appliance.**
- For additional protection the installation of a residual current device (RCD) with a rated residual operating current not exceeding 30mA is advisable in the electrical circuit supplying the bathroom. Ask an electrician for advice.
- ALWAYS unplug this appliance immediately after use.
- DO NOT USE THIS APPLIANCE NEAR BATH TUBS, SHOWERS, BASINS OR OTHER VESSELS CONTAINING WATER.
- Always ensure your hands are dry before using the appliance, touching the plug or the socket.
- Do not use while bathing.

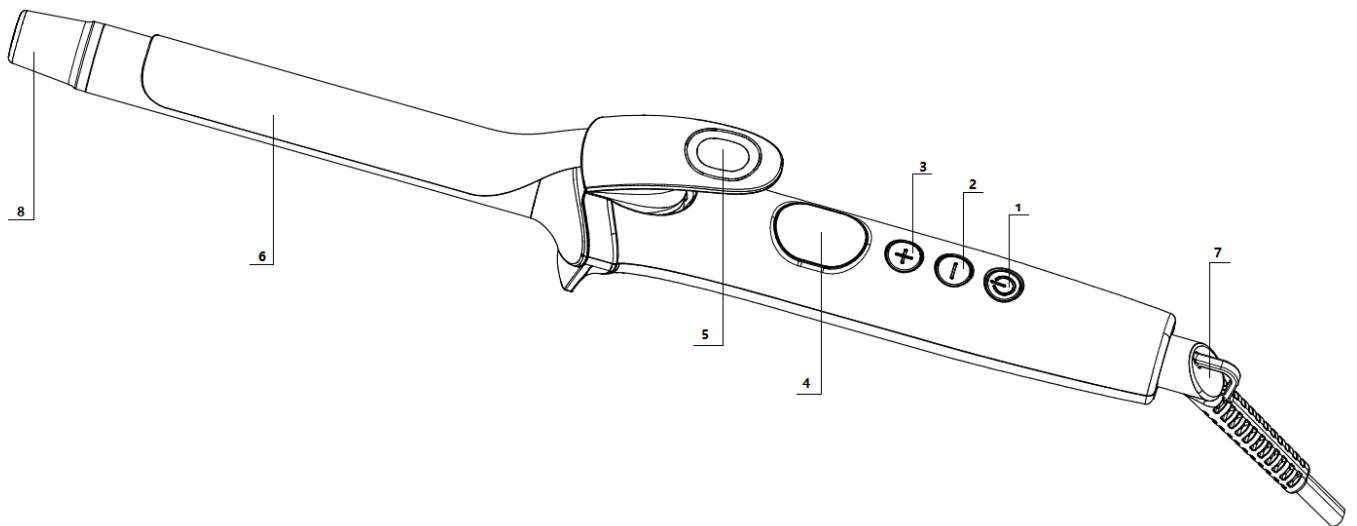
WARNING: THIS APPLIANCE BECOMES VERY HOT DURING USE

- To prevent burns or injury, do not allow the face, neck, or scalp to come into contact with the unit's hot surfaces while using the appliance.
- Never leave the appliance unattended while it is switched on or cooling down.
- Always place the unit on a flat, stable, and heat-resistant surface when not in use. Do not place the appliance on any soft furnishings.
- DO NOT use the appliance on artificial hair, wigs or pet hair.
- DO NOT leave the curler on your hair for longer than the recommended time, as this can lead to heat damage or burning.
- Keep the appliance and cable away from heat, sharp objects or anything that may cause damage. Do not pull, twist, or kink the cord.
- ALWAYS check the appliance before each use for signs of wear or damage. If damaged, discontinue from use immediately and do not use until the appliance has been inspected and approved for use by a qualified service person.
- The product is not to be used if it has been dropped or there are visible signs of

damage.

- If the supply cord is damaged, it must be replaced by the manufacturer, its service agent, or a similarly qualified persons in order to avoid hazard.
- Never attempt repairs yourself. Repairs to electrical appliances should only be performed by a qualified electrician. Improper repairs may place the user at serious risk and will invalidate the guarantee, take the appliance to a qualified repair agent.
- This appliance must be positioned so that the plug is accessible, and the plug socket is within easy reach of the power cord

Parts



1. ON/OFF switch
2. Temperature down (-) button
3. Temperature up (+) button
4. Digital display
5. Lever
6. Curling barrel
7. Power cord
8. Cool tip

How to use your hair curling tong

- Always ensure your hair is completely dry before using the hair curler to prevent heat damage and ensure effective styling. Do not use any hair treatment product before styling other than heat protection products.
- Always ensure that your hands are dry before plugging the hair curler into the mains supply.
- When the hair curler is plugged in, it enters standby mode. The digital display will show 'OFF' to indicate that the device is powered but not yet active.
- Press and hold the switch ON/OFF button (1) for 2 seconds to activate the hair curler.
- Using the temperature (+) and (-) buttons select the temperature between 120 and 200°C.
- The temperature display will flash until the set temperature is reached.

IMPORTANT: This model includes a temperature lock function that automatically activates 5 seconds after a temperature is selected. When active, a padlock icon will appear next to the temperature display. To deactivate the temperature lock, press the (-) button twice.

- Press the lever and position the tong halfway up the hair strand, ensuring the hair is evenly distributed between the lever and the barrel.
- Release the lever and gently slide the barrel down to the hair ends.
- Wrap the hair around the barrel and hold for 5-8 seconds depending on the texture and length of the hair.
- Press the lever and remove the curling tong from your hair, let the curl cool down fully before styling.
- Press and hold the ON/OFF button for 2 seconds to turn the product off. The digital display will show 'OFF' to indicate the standby mode. Disconnect the appliance from the mains supply.

NOTE: The hair curler will automatically switch off after 30 minutes of inactivity for safety and energy efficiency.

WARNING: The temperature of the curling tong reaches 200°C at the highest setting. Avoid any contact with the skin once the device is turned on. To ensure the correct temperature for your hair type, always perform a test curl before use.

NOTE: In the event of a system malfunction or abnormal operation, the digital display will show '888' as an error prompt. Switch off the appliance and contact customer service. Do not attempt to repair the appliance yourself.

Care and Maintenance

- Always ensure the hair curling tong is switched off, unplugged from the mains supply, and completely cooled before cleaning.
- Gently wipe the barrel with a soft, damp cloth, followed by a dry cloth. Avoid using abrasive materials, as they may scratch the surface.
- Clean the outer casing with a dry or slightly damp cloth. Take care not to let any liquid enter the device.

Storage

- Always unplug the appliance immediately after use and allow it to cool before storing.
- Store the hair curling tong in a safe, dry location, away from direct sunlight and out of reach of children.
- Do not wrap the power cord around the appliance.

Technical Specifications

Everlux Hair Curling Tong	
Model Number	BY-761C
Power Rating	110-240V~ 50-60Hz 52W
Dimensions	368x37.3x63.9mm Barrel: 25mm
Weight	320g



Recycling electrical products



You should now recycle your waste electrical goods and in doing so help the environment. This symbol means an electrical product should not be disposed of with normal household waste. Please ensure it is taken to a suitable facility for disposal. Visit www.recycle-more.co.uk, click on “bank locator” and enter your postcode to find your nearest recycling site.

Should you require any help call

Argos Customer Helpline: 0345 604 0105

argos.co.uk/help/contact-us

Produced in China for

Argos Limited, London, EC1M 6HA, UK.

Argos (N.I.) Ltd, Forestside Shopping Centre,

Upper Galwally, Belfast, BT8 6FX, UK.

Guarantee

This product is selected for DOMESTIC USE ONLY and not for business use.

This product is guaranteed against manufacturing defects for a period of 24 months. This does not cover the product where the fault is due to misuse, abuse, use in contravention of the instructions, or where the product has been the subject of unauthorised modifications or alterations, or has been the subject of commercial use. In the event of a problem with the product within the guarantee period please return it to your nearest store. If the item is shown to have an inherent defect present at the time of sale, the store will provide you with a replacement. Your statutory rights remain unaffected.

Issue, 08/2025